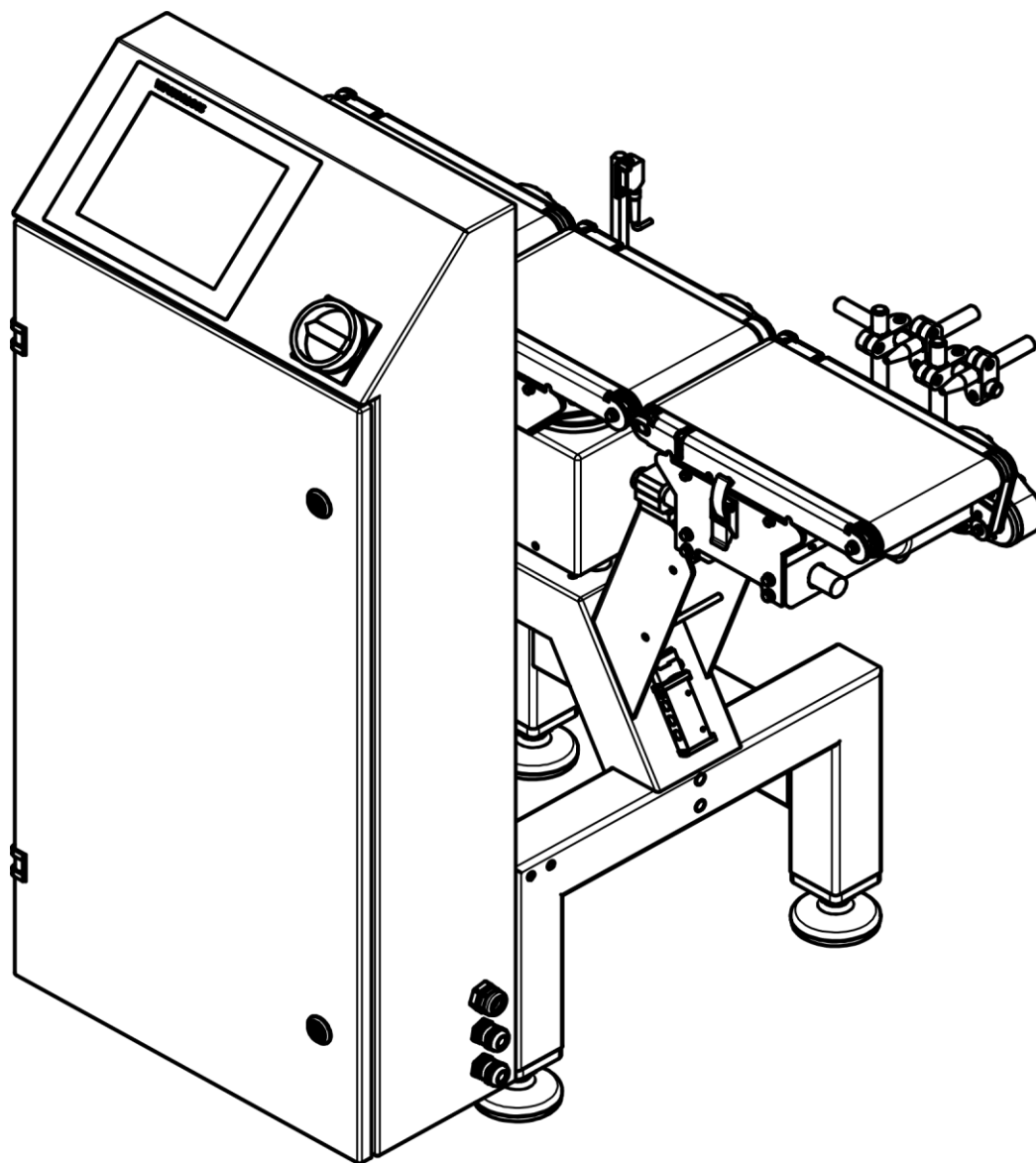


EC-E-VA

TECHNICAL DATA



COMPACT TECHNOLOGY IN STAINLESS STEEL DESIGN FOR USE IN WET ENVIRONMENTS

EC-E VA

The **EC-E-VA** model has an innovative design with weigh cells, drives, and belt construction in stainless steel (protection class IP65) and is recommended for use in light to average humidity environments.

The WIPOTEC Weighing Technology Weigh Cell used operates on the principle of Electro-Magnetic Force Restoration (EMFR) and stands for the fastest high precision measurement results.

The EC-E-VA is fast and easy to integrate in any production line. This machine is your reliable instrument for optimal efficiency with up to 150 weight values per minute.

Like all other checkweighers, the EC-E-VA has a simple and intuitive user interface. The EC-E-VA proves to be a reliable high-tech solution with a very good price-performance ratio, especially in the foods sector.



MAIN FEATURES

- × Innovative design in stainless steel
- × Userfriendly interface via 8" colour TFT touch screen display

YOUR BENEFITS

- × High throughput rate of up to 150 ppm
- × Precise and reliable weighing results to increase plant efficiency
- × Very good price-performance ratio
- × Requirements-based modularity for the greatest flexibility

BASE DATA

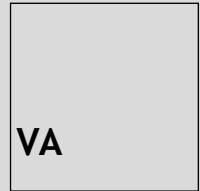
Material of machine	Stainless steel V2A/AISI 304
Machine weight (standard application)	100 kg
Shipping weight (standard application)	140 kg
Protection class	IP65
Temperature range	+5 °C to +40 °C
Display and operation	8" colour TFT display with touchscreen
Available dialog languages	Bosnian, Chinese, Croatian, Czech, Danish, Dutch, English, Finnish, French, German, Greek, Hungarian, Italian, Japanese, Latvian, Lithuanian, Polish, Portuguese, Russian, Slovak, Slovenian, Spanish, Swedish, Turkish (other languages on request)
Interfaces ¹⁾	Optionally: Ethernet, RS232, RS422, RS485
Max. output ²⁾	150 pcs/min
Digital I/O	8xI + 12xO
Product parameter storage	50 PPS (optionally 100 / 200 PPS)
Drive	Servo-Technology
Noise level ²⁾	A-weighted emission sound pressure level under 70dB(A)
Rated voltage	L1/N/PE; 100-240 VAC
Rated frequency	50/60 Hz
Connect load (power capacity)	Approx. 0.8 kVA
Compressed air supply (option)	8 bar approx. 10l/min quality class (according to ISO 8573-1) [5:3:3]
Possible maximum numbers of connected motors	3 motors (optionally 1 extendible)
EU-type examination certificate	DE-18-MI006-PTB001 (MID)

WEIGHING DETAILS

	Weigh Cell (Type)	GWR (Gross weighing range)	Dead load max.	e (min. calibration value)	d (Displayed value)	Standard deviation ²⁾ (1s)	n (Scale division)
EC-E-VA-1	EC-4000-E	1,500 g	8,500 g	≥ 0.5 g	≥ 0.2 g	from 150 mg	3,000
EC-E-VA-2	EC-4000-E	3,000 g	8,500 g	≥ 1.0 g	≥ 0.5 g	from 150 mg	3,000
EC-E-VA-3	EC-4000-E	6,000 g	8,500 g	≥ 2.0 g	≥ 1.0 g	from 150 mg	3,000

1) Optionally, surcharge

2) Depending on product shape, product behavior, transport speed and environmental condition



CONVEYOR DIMENSIONS

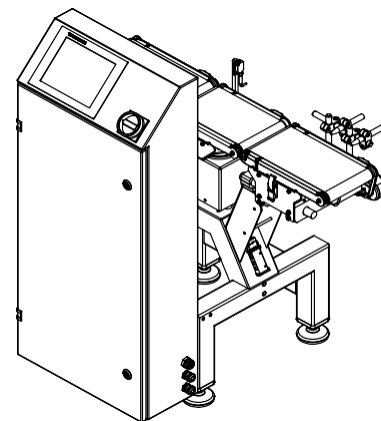
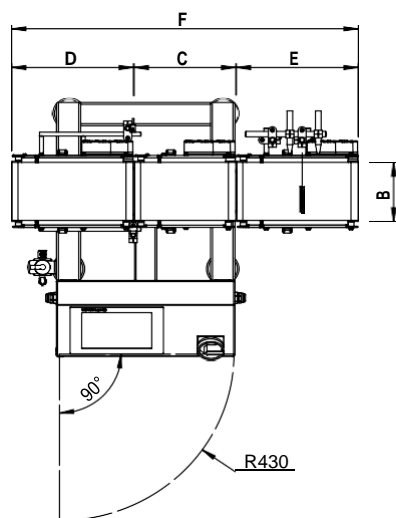
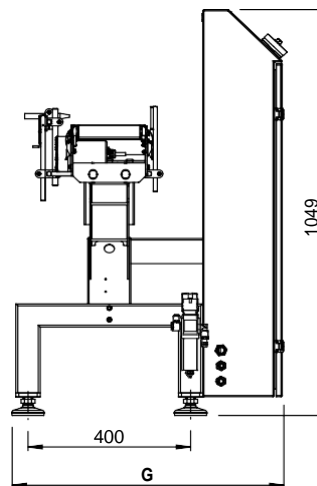
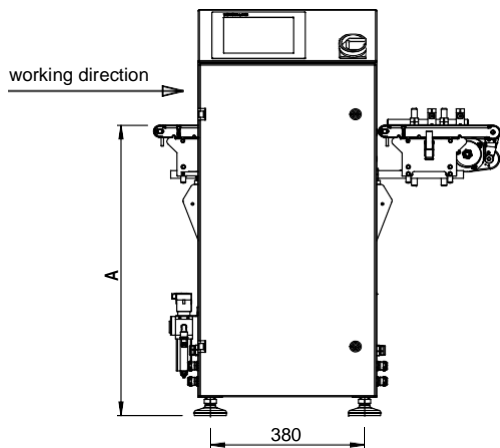
		Dimensions weighing conveyor		
length \ width		150 mm	250 mm	350 mm ¹⁾
250 mm		X	-	-
300 mm		X	X	-
400 mm		X	X	X
500 mm ¹⁾		X	X	X

		Dimensions infeed / outfeed conveyor		
length \ width		150 mm	250 mm	350 mm ¹⁾
300 mm		X	X	-
400 mm		X	X	X
500 mm		X	X	X
600 mm		X	X	X

1) Optionally, surcharge

MACHINE DIMENSIONS

EC-E VA



A = Working height¹⁾	650-800 ²⁾ / 750-900 / 850-1,000 / 950-1,100 ²⁾ mm
B = Conveyor width	150 / 250 / 350 ²⁾ mm
Conveyor technology VA35E	roller diameter 35 mm
C = Weighing conveyor length	250 / 300 / 400 / 500 ²⁾ mm
D = Infeed conveyor length	300 / 400 / 500 / 600 mm
E = Outfeed conveyor length	300 / 400 / 500 / 600 mm
F = Total length	D + C + E + 10 mm
G = Total width	670 mm depending on machine configuration

1) Working height must be specified when ordering

2) Optionally, surcharge

These specifications are reference values of the standard machine excluding application- or weighing-specific add-on parts.
All entries in mm | Drawing shows design example

PERSONAL NOTES



Your sales partner on site

